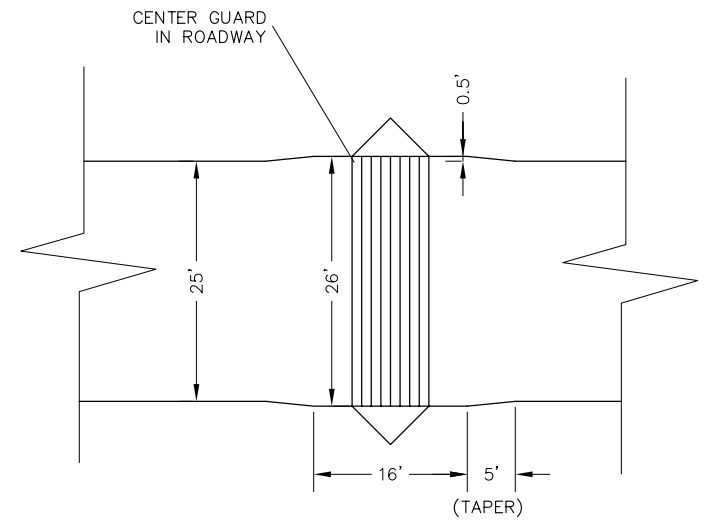


SECTION A-A

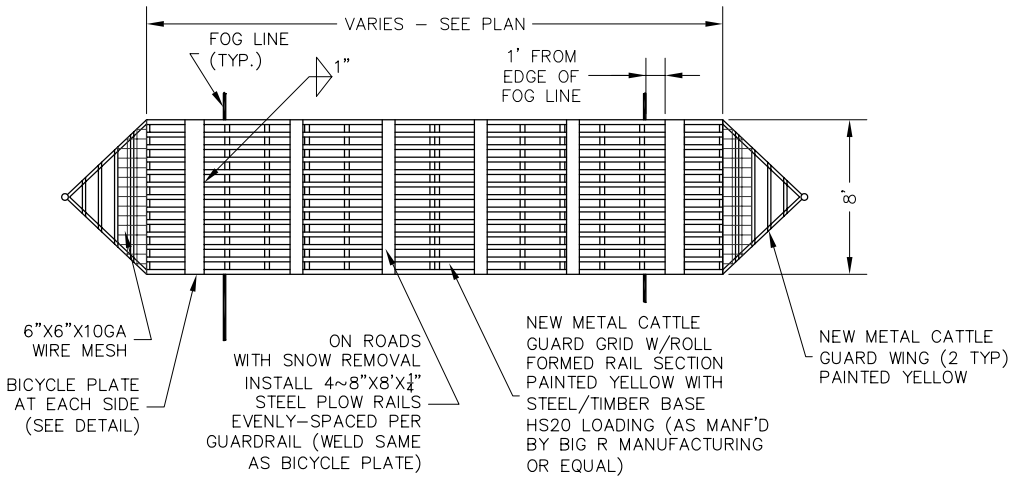
CATTLE GUARD FOUNDATION

NOTES:

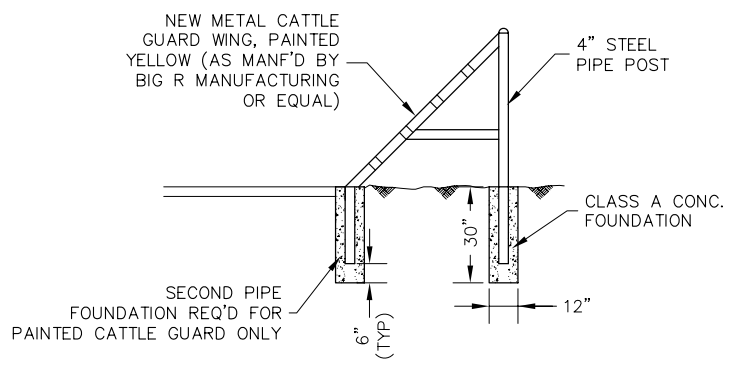
1. CONTRACTOR TO VERIFY CATTLE GUARD DIMENSIONS PRIOR TO FORMING CONCRETE FOUNDATION TO CONFIRM ACTUAL DIMENSIONS REQUIRED TO CENTER BASE ON FOUNDATION.
2. CONCRETE WILL BE CLASS "A". CONCRETE WILL CONTAIN 4% TO 5% ENTRAINED AIR. CONCRETE WILL BE SEALED WITH SILICONE-BASED SEALER, "SYNAK" OR APPROVED EQUAL IN ACCORDANCE WITH MANUFACTURER'S RECOMMENDATIONS



CATTLE GUARD TAPER



CATTLE GUARD



CATTLE GUARD WING

Revisions:

Mono County
Department of Public Works

74 North School St. Phone: (760)932-5440
 Post Office Box 457 Fax: (760)932-5441
 Bridgeport, CA 93517 monopw@mono.ca.gov

MONO COUNTY
CATTLE GUARD
DETAIL

Sheet
1 OF 1
DATE: 1/24/07